



# Gas Burner Countertop Models



USFH-24-4



USFH-12-2

USFH-36-6

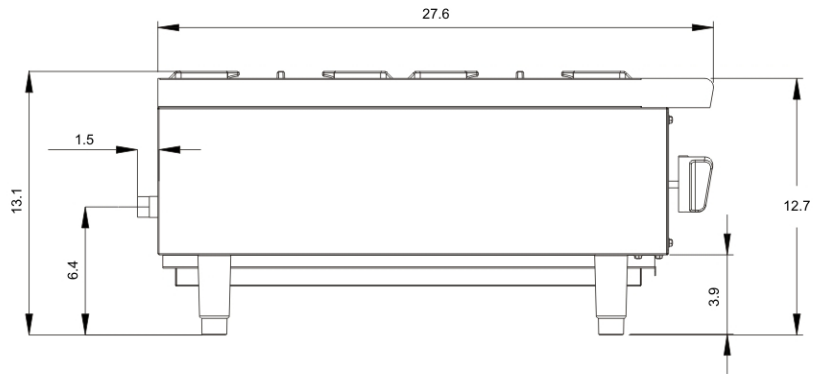
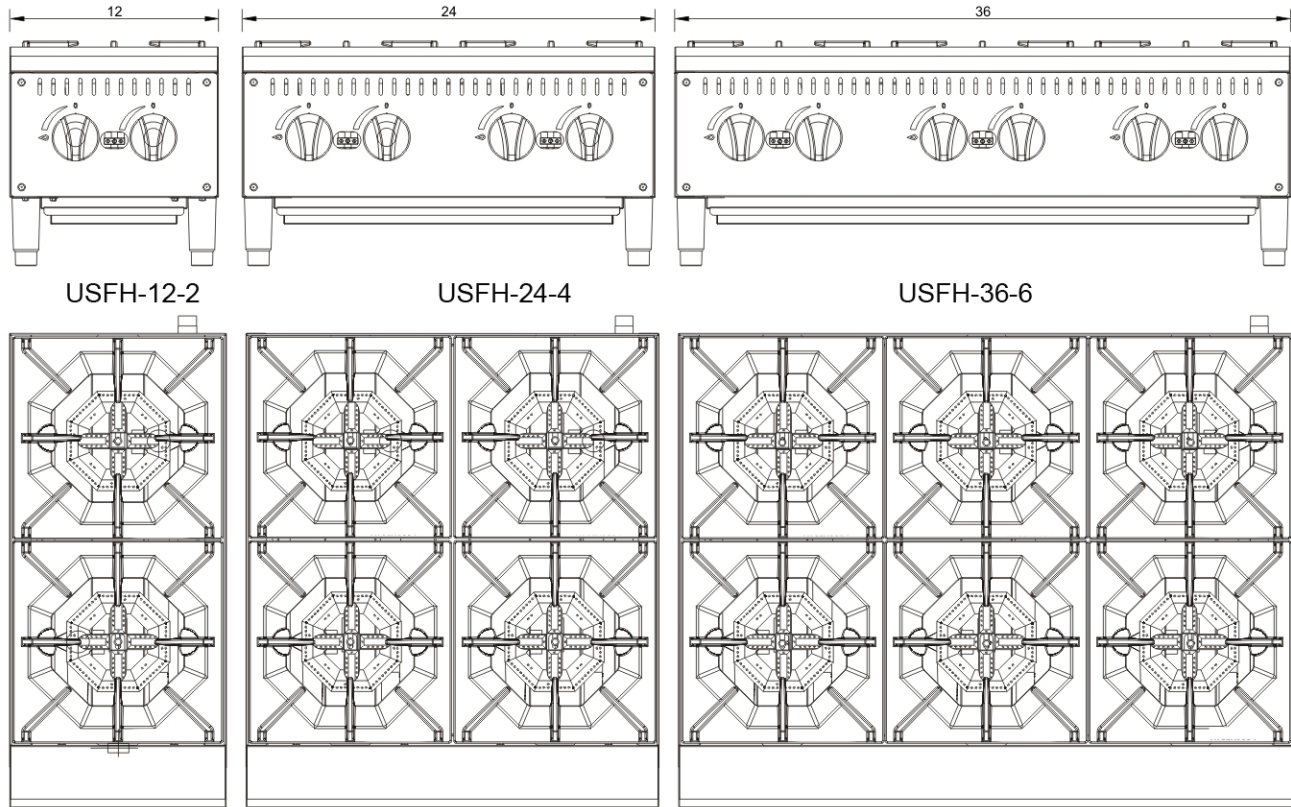
## Standard Features

- Available in 12", 24", 36" widths (2-4-6 burners)
- High performance, heavy duty 25,000 BTU cast iron burners
- Stainless steel construction and extended cool-to-touch front edge
- Adjustable pilots with front access
- Unit ships Natural Gas with LP conversion kit, included
- Stainless Steel Catch Tray

## Quality Construction

- All stainless steel, double wall construction
- Durable, heavy-duty cast iron burner grates
- All metal, durable control knobs
- Full-width catch tray
- Adjustable stainless steel legs

## Plan View



## Specifications

Model	Burners and Control Method	Gas type	Intake-tube pressure (in.W.C.)	Per BTU B.T.U./h	Total BTU B.T.U./h	Nozzle No.	Net weight (LBS)
USFH-12-2	2 Burners Independent Manual control	NG	4	25,000	50,000	#43	55.1
		LP	10	25,000	50,000	#53	
USFH-24-4	4 Burners Independent Manual control	NG	4	25,000	100,000	#43	97
		LP	10	25,000	100,000	#53	
USFH-36-6	6 Burners Independent Manual control	NG	4	25,000	150,000	#43	136.7
		LP	10	25,000	150,000	#53	